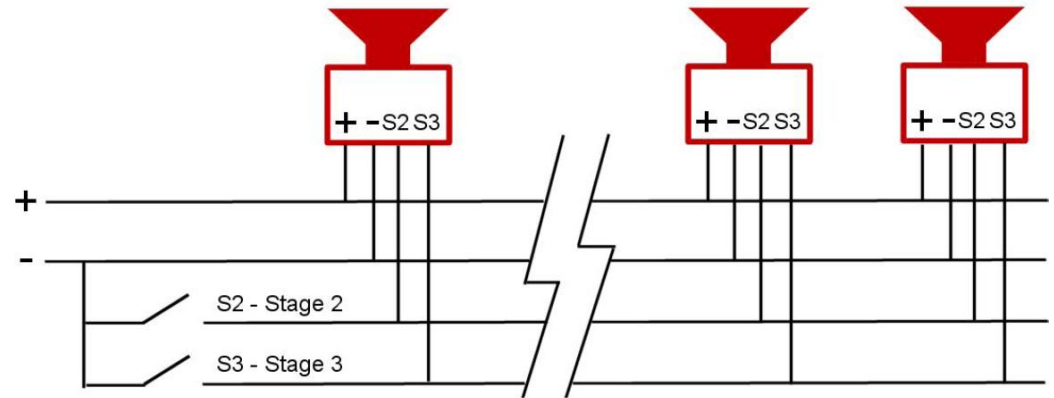
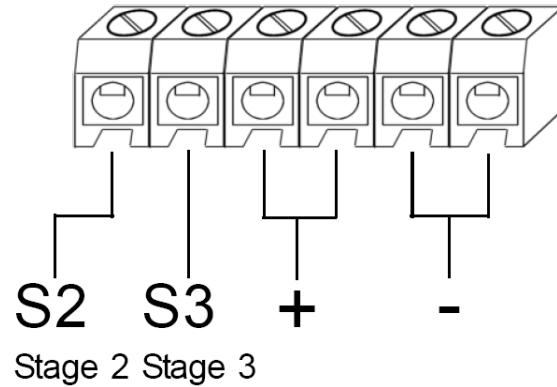


Installation/Anschluss  
 Installation/Raccordement  
 Installation/Connection

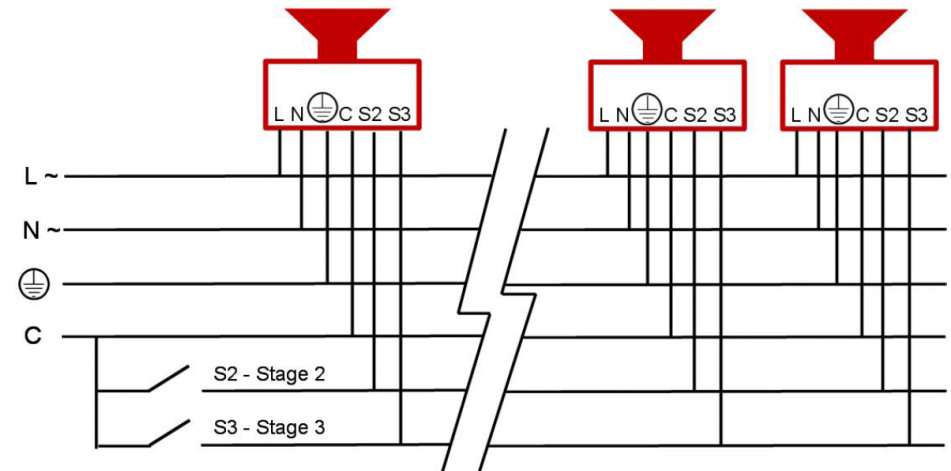
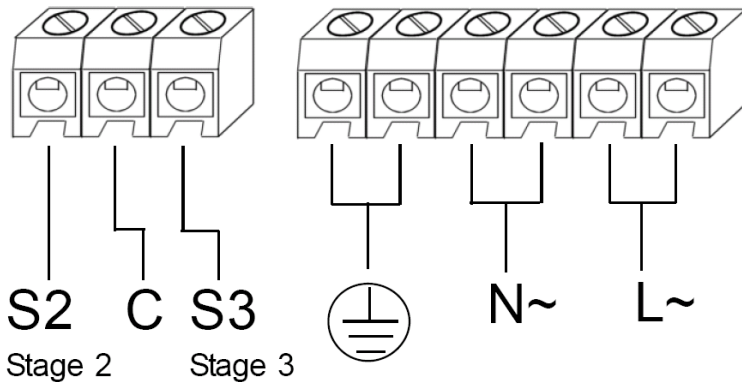
# A100

Installationsanleitung\_A100\_REV1\_19\_04\_2017

## 24, 48V DC



## 115, 230 VAC



**Version 115, 230VAC: S2 – C – S3**  
 potentialfrei / sans potential / potential free

Stage 1	Frequency Description	A100 dB@ 1m		Switch						Stage 2 (S2)	Stage 3 (S3)
				1	2	3	4	5	6		
Tone 1	340 Hz Continuous	93dB(A) @1m								Tone 2	Tone 5
Tone 2	800/1000Hz @ 0.25 sec Alternating	101dB(A) @1m		■						Tone 17	Tone 5
Tone 3	500/1200Hz @ 0.3Hz 0.5 sec Slow Whoop	101dB(A) @ 1m		■	■					Tone 2	Tone 5
Tone 4	800/1000Hz @ 1Hz Sweeping	101dB(A) @1m		■	■					Tone 6	Tone 5
Tone 5	2400Hz Continuous	103dB(A) @1m				■				Tone 3	Tone 20
Tone 6	2400/2900Hz @ 7Hz Sweeping	100dB(A) @1m		■		■				Tone 7	Tone 5
Tone 7	2400/2900Hz @ 1Hz Sweeping	101dB(A) @1m		■	■	■				Tone 10	Tone 5
Tone 8	500/1200/500Hz @ 0.3Hz Sweeping	100dB(A) @1m		■	■	■				Tone 2	Tone 5
Tone 9	1200/500Hz @ 1Hz - DIN / PFEER P.T.A.P.	101dB(A) @ 1m					■			Tone 15	Tone 2
Tone 10	2400/2900Hz @ 2Hz Alternating	104dB(A) @1m		■			■			Tone 7	Tone 5
Tone 11	1000Hz @ 1Hz Intermittent	101dB(A) @1m				■		■		Tone 2	Tone 5
Tone 12	800/1000Hz @ 0.875Hz Alternating	101dB(A) @1m		■	■	■				Tone 4	Tone 5
Tone 13	2400Hz @ 1Hz Intermittent	103dB(A) @1m				■	■			Tone 15	Tone 5
Tone 14	800Hz 0.25sec on, 1 sec off Intermittent	103dB(A) @1m		■		■	■			Tone 4	Tone 5
Tone 15	800Hz Continuous	103dB(A) @1m				■	■	■		Tone 2	Tone 5
Tone 16	880Hz 150mS on, 150mS off Intermittent	96dB(A) @ 1m		■	■	■	■			Tone 18	Tone 5
Tone 17	544Hz (100mS)/440Hz (400mS) - NF S 32-001	100dB(A) @ 1m						■		Tone 2	Tone 27
Tone 18	880Hz 1.8sec on, 1.8sec off Intermittent	96dB(A) @ 1m		■				■		Tone 2	Tone 5
Tone 19	1.4KHz-1.6KHz 1s, 1.6KHz-1.4KHz 0.5s -NFC48-265	98dB(A) @ 1m				■		■		Tone 2	Tone 5
Tone 20	880Hz Continuous	96dB(A) @ 1m		■	■			■		Tone 2	Tone 5
Tone 21	554Hz/440Hz @ 1Hz Alternating	100dB(A) @1m				■		■		Tone 2	Tone 5
Tone 22	544Hz @ 0.875 sec. Intermittent	100dB(A) @1m		■		■		■		Tone 2	Tone 5
Tone 23	800Hz @ 2Hz Intermittent	97dB(A) @ 1m				■	■	■		Tone 6	Tone 5
Tone 24	800/1000Hz @ 50Hz Sweeping	101dB(A) @1m		■	■	■		■		Tone 29	Tone 5
Tone 25	2400/2900Hz @ 50Hz Sweeping	101dB(A) @1m					■	■		Tone 29	Tone 5
Tone 26	Bell	97dB(A) @ 1m		■			■	■		Tone 2	Tone 15
Tone 27	554Hz Continuous	100dB(A) @1m				■	■	■		Tone 26	Tone 5
Tone 28	440Hz Continuous	97dB(A) @ 1m		■	■		■	■		Tone 2	Tone 5
Tone 29	800/1000Hz @ 7Hz Sweeping	101dB(A) @1m				■	■	■		Tone 7	Tone 5
Tone 30	300Hz Continuous	91dB(A) @ 1m		■		■	■	■		Tone 2	Tone 5
Tone 31	880/1200Hz @ 1Hz Sweeping	101dB(A) @1m				■	■	■	■	Tone 26	Tone 5
Tone 32	Two tone chime.	100dB(A) @1m		■	■	■	■	■		Tone 26	Tone 15